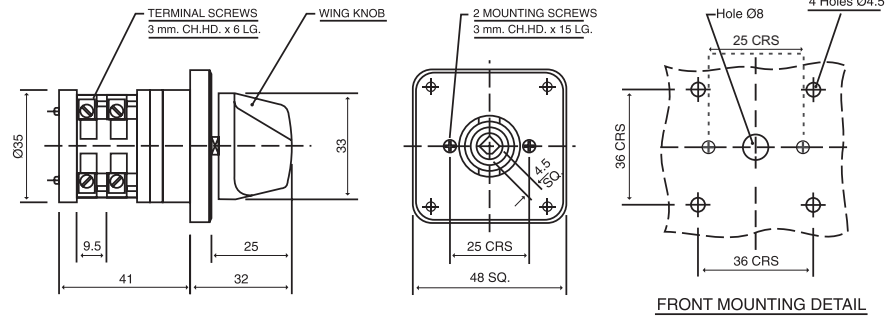


ROTARY CAM SWITCHES

S-12 TWO HOLE / FOUR HOLE MOUNTING

PANEL MOUNTING DETAIL FOR S12 MODEL

MODEL S-12



UNIVERSAL MOUNTING

SWITCHING	POLE	S-12	SWITCHING	POLE	S-12	SWITCHING	POLE	SP-12
ON-OFF 2 POS. 	1 2 3 4	S1160 S2160 S3260 S4260	SIX WAY NO OFF 	1 2 3 4	S136F S266F S396F S4126F	ELEVEN WAY NO OFF 	1 2	S163L S2123L
ON-OFF 4 POS. 	1 2 3 4	S1190 S2190 S3290 S4290	SIX WAY WITH OFF 	1 2 3	S144FO S274FO S3114FO	ELEVEN WAY WITH OFF 	1 2	S163LO S2123LO
TWO WAY NO OFF 	1 2 3 4	S116B S226B S336B S446B	SEVEN WAY NO OFF 	1 2 3	S144G S274G S3114G	TWELVE WAY NO OFF 	1 2	S163M S2123M
TWO WAY WITH OFF 	1 2 3 4	S116BO S226BO S336BO S446BO	SEVEN WAY WITH OFF 	1 2 3	S144GO S284GO S312GO	REVERSING WITH OFF 	1 2	S226SK S336SK
THREE WAY NO OFF 	1 2 3 4	S126C S236C S356C S466C	EIGHT WAY NO OFF 	1 2 3	S144H S284H S3124H	Voltmeter Selector		
THREE WAY WITH OFF 	1 2 3 4	S124CO S234CO S354CO S464CO	EIGHT WAY WITH OFF 	1 2	S163HO S2123HO			
FOUR WAY NO OFF 	1 2 3 4	S126D S246D S366D S486D	NINE WAY NO OFF 	1 2	S163J S2123J		3	S439VN Voltage between phases and Neutral with off 4 position 90°
FOUR WAY WITH OFF 	1 2 3 4	S136DO S266DO S396DO S4126DO	NINE WAY WITH OFF 	1 2	S163JO S2123JO		3	S444VPN 3 ph Line to Line & Line to Neutral 8 position 45°
FIVE WAY NO OFF 	1 2 3 4	S136E S256E S386E S4106E	TEN WAY NO OFF 	1 2	S163K S2123K	Ammeter Selector		
FIVE WAY WITH OFF 	1 2 3 4	S136EO S266EO S396EO S4126EO	TEN WAY WITH OFF 	1 2	S163KO S2123KO			